

MDR Support Panel

Roger Hafner

**Consultant
Customs Expert**

UR Consulting LLC
Sihleggstrasse 23
CH-8832 Wollerau

+41 44 787 15 75

info@ur-consulting.ch
roger.hafner@ur-consulting.ch



Consultation, Training, Expertise, Audit



- Origin of Goods



- Customs Procedures



- Supply Chain Design



- Excise Duties



- Complaint Management



- Value Added Tax



- Customs Tariff

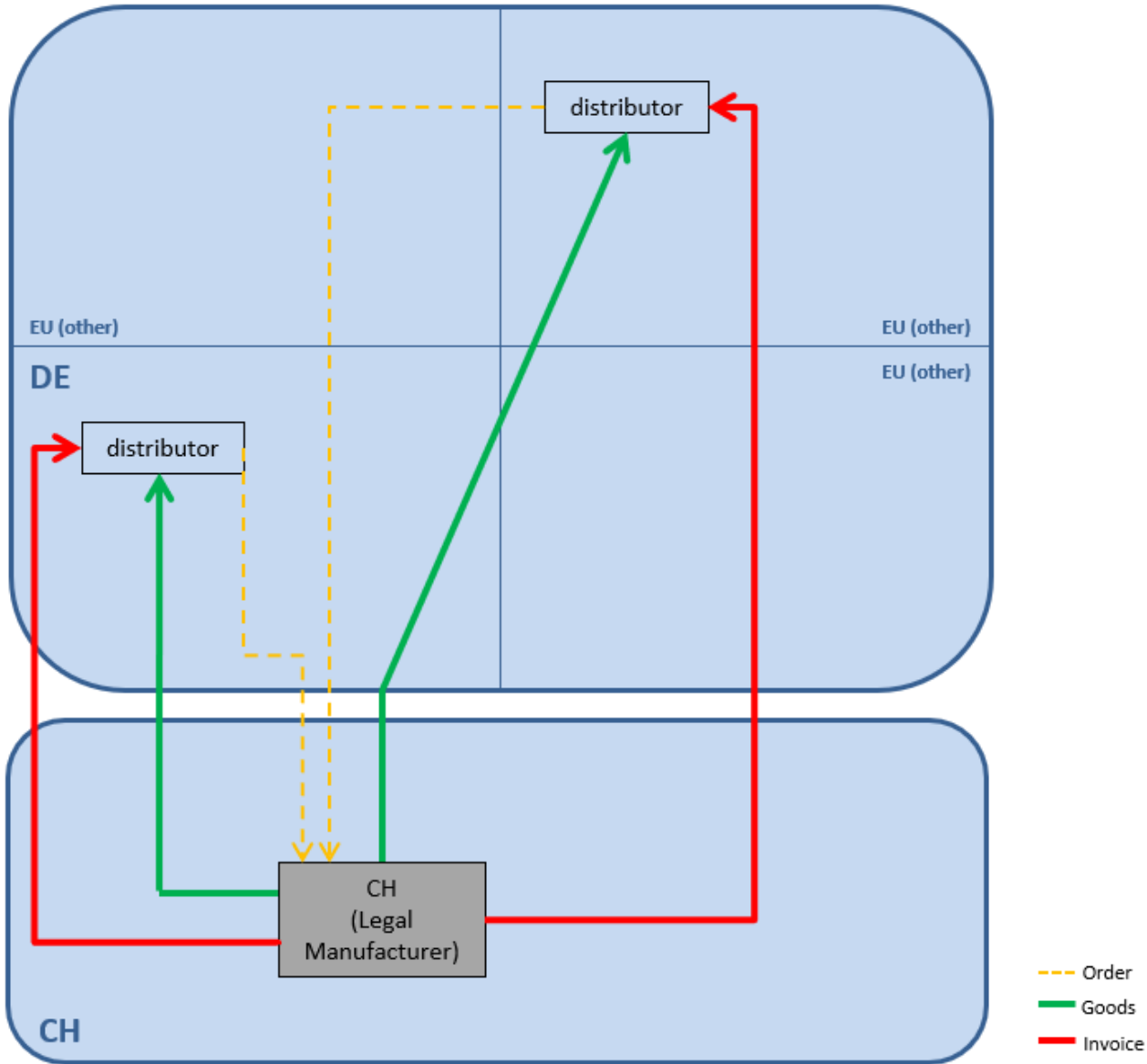


- Embargos, Restrictions

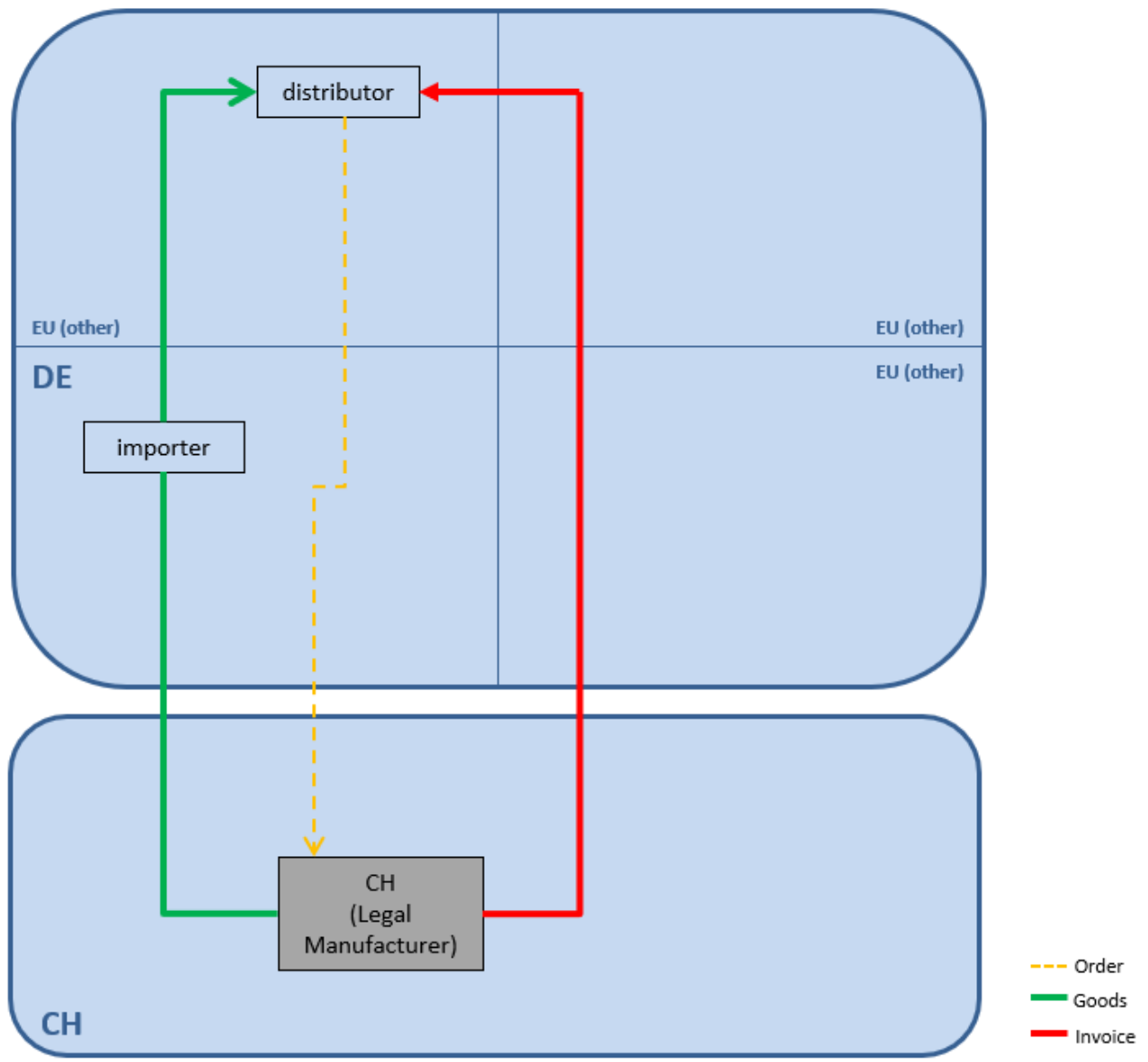


- Authorised Economic Operator (AEO)

Q: Do all deliveries have to pass the importer or can we do drop shipments after the first importation? → current set-up



Q: Do all deliveries have to pass the importer or can we do drop shipments after the first importation? → future set-up



Q: Product manufactured in DE, stored in DE and directly shipped to EU distributors

→ illustration

